

BASE FURNITURE FOR LAUFEN PRO S

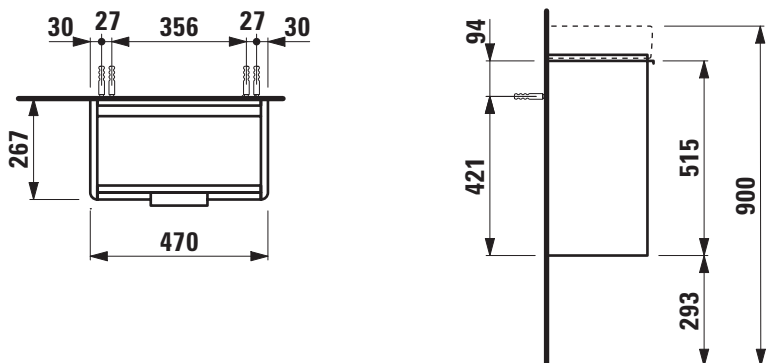
Vanity unit 40210.1



TECHNICAL DATA

Order no.	40210.1 / door hinge left	Accessories excl.	Feet (2 pieces), anodized aluminium, order no. 40299.2
Dimensions (WxHxD)	470 x 515 x 267 mm		Space saving siphon, order no. 89424.0
Matching for	Washbasin, order no. 81595.5	Mounting acc. incl.	Installation set for furniture, order no. 49114.0, 49301.5
Specification	<p>Body/Front</p> <p>White matt: Body MDF with PVC foil (post-forming) Front MDF with PVC foil and ABS edges</p> <p>White glossy: Body MDF with PET foil (post-forming) Front MDF with PET foil and ABS edges</p> <p>Elm light/dark: Body particle board with CPL foil Front melamine coated particle board with ABS edges</p> <p>anodized aluminium handle bar on the top 1 door (soft-close mechanism) 1 internal glass shelf</p>	Mounting information	The walls installed on must meet the requirements of the furniture in terms of weight and the supplied fastening elements. If this cannot be guaranteed another method of installation needs to be chosen. For example with feet.
Weight	11,0 kg	Colours	260 – White matt 261 – White glossy 262 – Light elm 263 – Dark brown elm 999 – 39 other lacquered colours on request

TECHNICAL DRAWINGS / S 1 : 20



BASE FURNITURE FOR LAUFEN PRO S

Vanity unit 40210.2



TECHNICAL DATA

Order no.	40210.2 / door hinge right	Accessories excl.	Feet (2 pieces), anodized aluminium, order no. 40299.2
Dimensions (WxHxD)	470 x 515 x 267 mm		Space saving siphon, order no. 89424.0
Matching for	Washbasin, order no. 81595.4	Mounting acc. incl.	Installation set for furniture, order no. 49114.0, 49301.5
Specification	<p>Body/Front</p> <p>White matt: Body MDF with PVC foil (post-forming) Front MDF with PVC foil and ABS edges</p> <p>White glossy: Body MDF with PET foil (post-forming) Front MDF with PET foil and ABS edges</p> <p>Elm light/dark: Body particle board with CPL foil Front melamine coated particle board with ABS edges</p> <p>anodized aluminium handle bar on the top 1 door (soft-close mechanism) 1 internal glass shelf</p>	Mounting information	The walls installed on must meet the requirements of the furniture in terms of weight and the supplied fastening elements. If this cannot be guaranteed another method of installation needs to be chosen. For example with feet.
Weight	11,0 kg	Colours	260 – White matt 261 – White glossy 262 – Light elm 263 – Dark brown elm 999 – 39 other lacquered colours on request

TECHNICAL DRAWINGS / S 1 : 20

